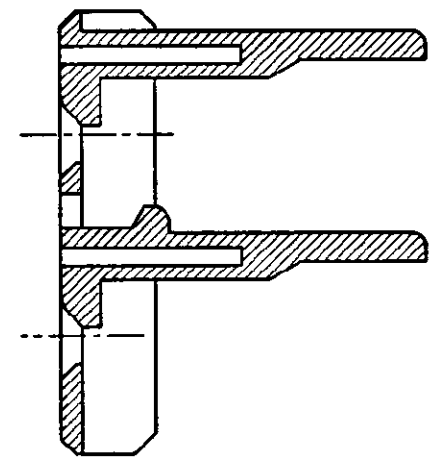
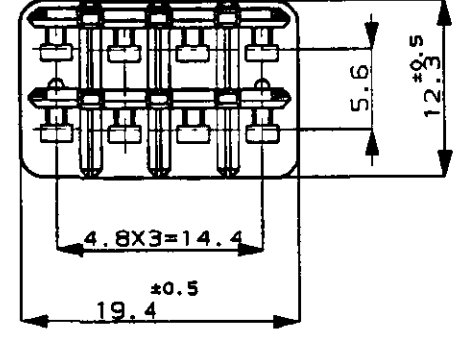
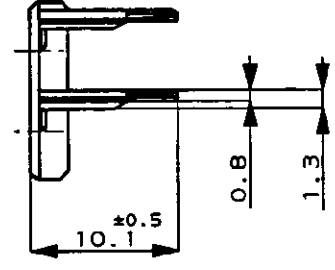
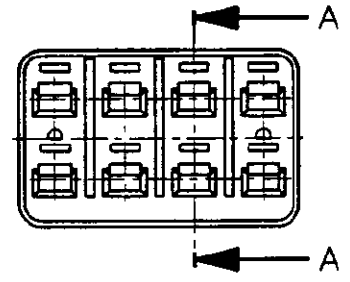
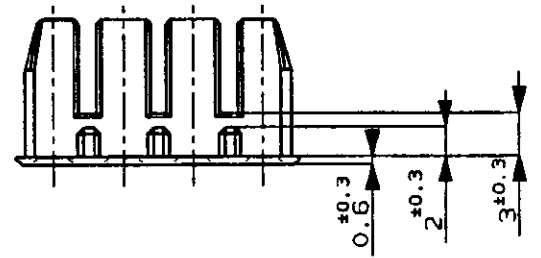


NUMBER C-174983
 METRIC
 3rd ANGLE PROJECTION



SECTION 断面 A-A
 (尺度 5:1)

注 :

- 1 本品はプラグハウジングP/N174981に装着される
- 2. 製品規格, 108-5262

NOTE :

- 1 TO BE MATED WITH PLUG HOUSING (P/N174981)
- 2. PRODUCT SPEC, 108-5262

PRINT DIST
 DIMENSIONS IN MILLIMETERS. DO NOT SCALE PRINT

				© 1987 BY AMP (Japan) LTD. ALL RIGHTS RESERVED. AMP PRODUCTS COVERED BY PATENTS AND OR PATENTS PENDING		AMP		AMP (JAPAN), LTD. Tokyo, Japan	
				WIRE RANGE mm ² (AWG)		INSULATION DIA mm		NAME BP. ECONOSEAL J-MARK II ⁺ CONNECTOR 8極 エコノシール J マーク II ⁺ DOUBLE LOCK PLATE FOR PLUG HOUSING プラグ用ダブルロックプレート	
C	ADDED	追加 1- -1	FJ00-3794-95	TS	MO	11/29 '89	SEE TABLE	SEE TABLE	GENERAL TOLERANCE
B	変更	REVISED	J-12223	TS	MO	10/30 '89	SEE TABLE	SEE TABLE	0 <= < 10 : ±0.2 10 <= < 30 : ±0.25 30 <= < 100 : ±0.3 ANGLES : ±3°
A	変更	REVISED	J-10977	T.S.M.O		11/4 '89	OR. T. SAGAWA	DE. T. SAGAWA	SIZE LOC NUMBER
O	作成	RELEASED	J-10202	YF	TS	11/4 '88	CHK. T. SAGAWA	APP. T. SAGAWA	A3 J C-174983
LTR	REVISION RECORD			DR	CHK	DATE	SCALE	REV.	SHEET
							2:1	C	1 OF 1

CUSTOMER DRAWING